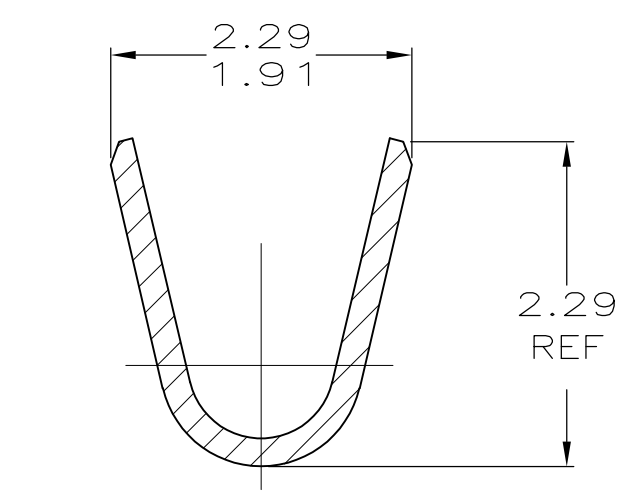
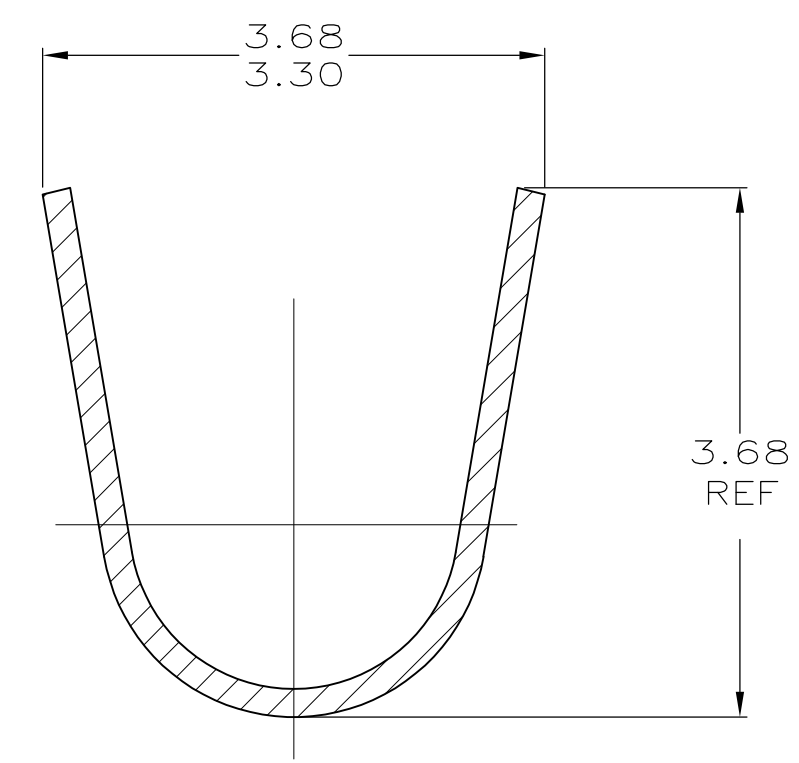


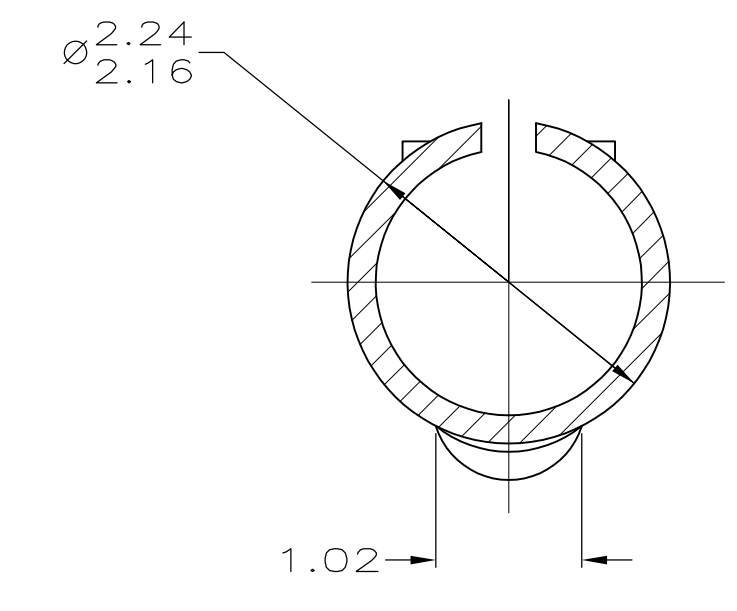
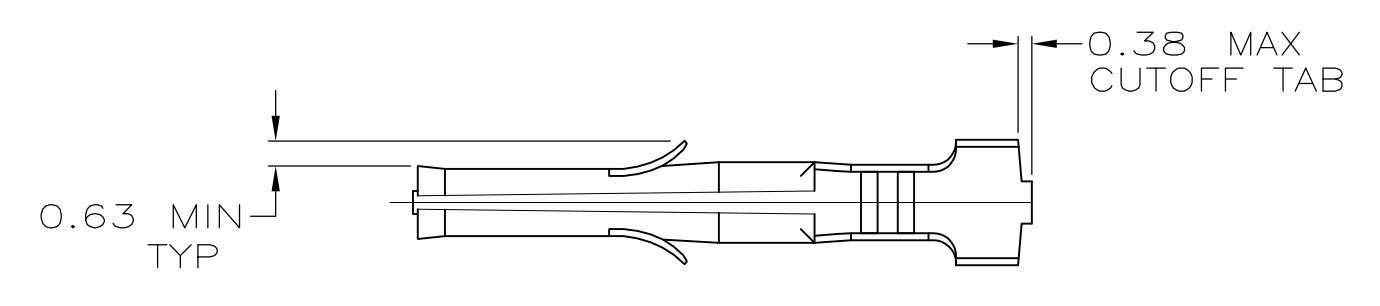
LOC		DIST		REVISIONS			
P	LTR	DESCRIPTION	DATE	DWN	APPD		
P		REVISED PER ECO-11-004917	11MAR11	RK	HMR		



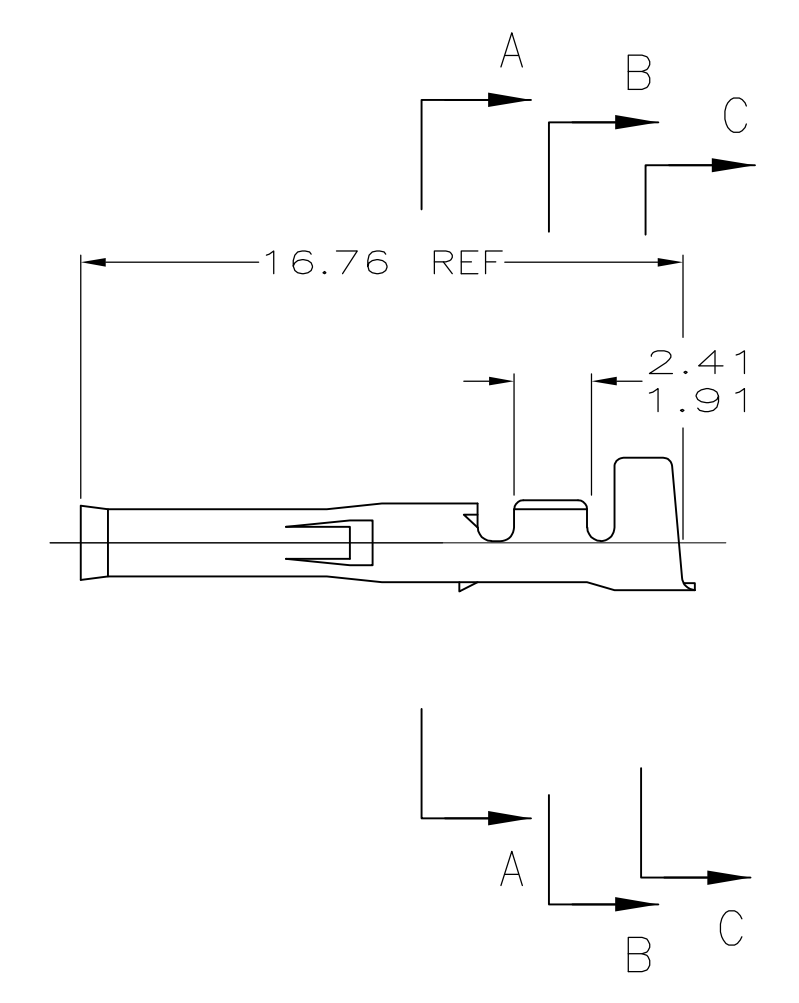
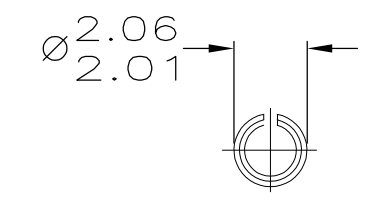
SECTION B-B  
SCALE 20:1



SECTION C-C  
SCALE 20:1



SECTION A-A  
SCALE 10:1



MM	IN
16.76	.660
3.68	.145
3.30	.130
2.79	.110
2.41	.095
2.29	.090
2.24	.088
2.16	.085
2.06	.081
2.01	.079
1.91	.075
1.27	.050
1.02	.040
0.63	.025
0.38	.015
0.20	.008
0.13	.005
MM	IN

CONVERSION TABLE

METRIC

PRE-TIN	0.20 BRASS	1.27-2.79	0.2 - 0.9 mm <sup>2</sup> (24-18 AWG)	794016-1
FINISH	MATERIAL	INSULATION DIAMETER	WIRE RANGE	PART NO
THIS DRAWING IS A CONTROLLED DOCUMENT.		DWN L. SMITH 7-14-93	TE Connectivity	
DIMENSIONS: MM(INCHES)		CHK R. SWING 7-14-93	NAME STE	
TOLERANCES UNLESS OTHERWISE SPECIFIED:		APVD C. CASH 7-15-93	PRODUCT SPEC -	
0 PLC ± -	1 PLC ± -	APPLICATION SPEC -		
2 PLC ± 0.13	3 PLC ± -	SIZE CAGE CODE DRAWING NO A1 00779 C=794016		
4 PLC ± -	ANGLES ± 0° 30'	RESTRICTED TO -		
MATERIAL SEE TABLE	FINISH SEE TABLE	WEIGHT -	SCALE 5:1 SHEET 1 OF 1 REV P	
CUSTOMER DRAWING				